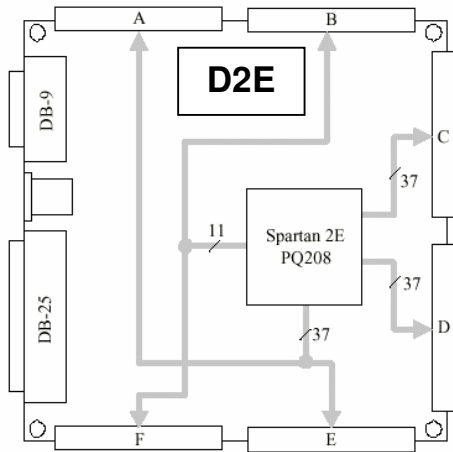
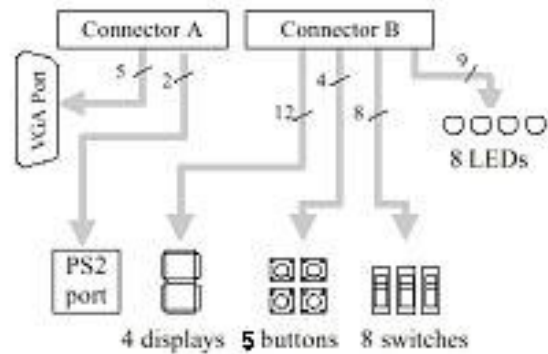


DIGILAB 2E + DIGITAL I/O 1

met XILINX SPARTAN XC2S200E FPGA

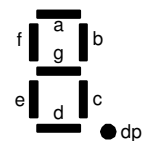
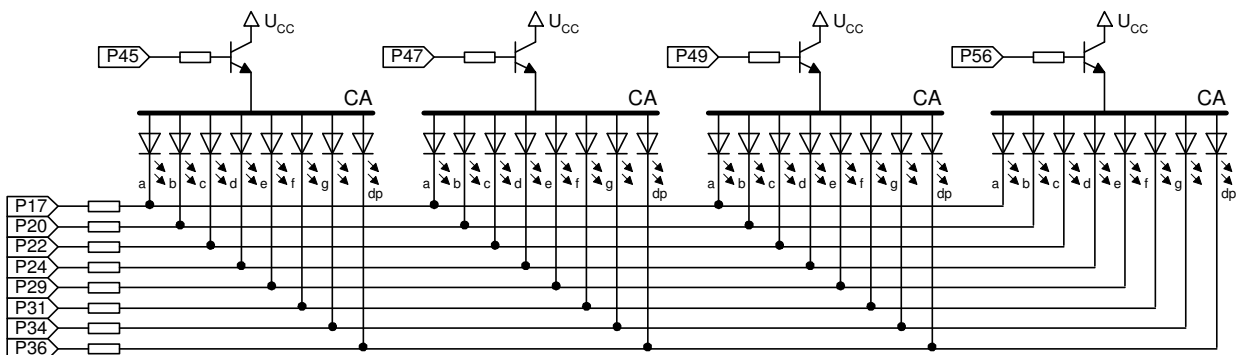


DIO1



DIO1 aangesloten op D2E via connectors AB / EF of via CD

schuif- schakelaar	XC2S200E		LED	XC2S200E		7-segm. display	XC2S200E		Display Button	XC2S200E	
	AB/EF	CD		AB/EF	CD		AB/EF	CD		AB/EF	CD
SW1	P16	P126	LD1	P44	P154	seg a	P17	P127	tr1	P45	P160
SW2	P18	P129	LD2	P46	P161	seg b	P20	P132	tr2	P47	P162
SW3	P21	P133	LD3	P48	P163	seg c	P22	P134	tr3	P49	P164
SW4	P23	P135	LD4	P55	P165	seg d	P24	P136	tr4	P56	P166
SW5	P27	P138	LD5	P57	P167	seg e	P29	P139	<i>BTN1</i> <i>BTN2</i> <i>BTN3</i> <i>BTN4</i> <i>BTN5</i>	P40	P149
SW6	P30	P140	LD6	P59	P169	seg f	P31	P141		P41	P150
SW7	P33	P145	LD7	P61	P174	seg g	P34	P146		P42	P151
SW8	P35	P147	LD8	P63	P176	seg dp	P36	P148		P43	P152
										P64	P178



CLK = P80 (50 MHz)

BTN = P77 (ook geschikt als klok)

LED = P69